

Chubb safes Record Protection Filing Cabinets provide fire protection for any paper based documents in the event of a severe fire. It is tested and certified to the Underwriters Laboratories test standard UL 72 Class 350 for paper protection against fire.



RPF Cabinet

record protection filing cabinets

Features

- Body** - The Body has an overall thickness of 57mm insulated with Chubb safes patented PCDE fire resistant material. Proofing materials used are also asbestos-free, reliable, stable, well aerated and will not deteriorate with age. The cabinet is reinforced in critical areas to allow the cabinet to survive the impact from a fall.
- Drawer** - The drawer is constructed with an overall thickness of 56mm. The proofing material is identical to the material used in the body of the cabinet. Each drawer is also suspended on heavy duty rails and bearings for durability and for ease of use. The drawers have been designed to fit most paper hoist and box files.
- Locking** - The Chubb safes RPF cabinet comes in 2 locking variants:
 - Individual Locking** - One 3-wheel keyless combination lock and pin tumbler key lock on the top drawer; controlling all drawers. In addition, there is one key lock on each subsequent drawer for individual locking.
 - Central Locking** - One 3-wheel keyless combination lock and one pin tumbler key lock on the top drawer; controlling all drawers.

- Available in two versions:
 - 6000 series** (1 hour fire rated)
 - 9000 series** (2 hour fire rated)
 Both series is in compliance to UL 72 Class 350 which represents one of the highest and most stringent test currently used to evaluate record protection equipment.
- The **9000 series** has also passed the Fire Endurance Test in accordance to JIS Standard S1037:1989 for 3 Hours by FRIM.
- Finish** - Light grey scratch resistant epoxy based finish.

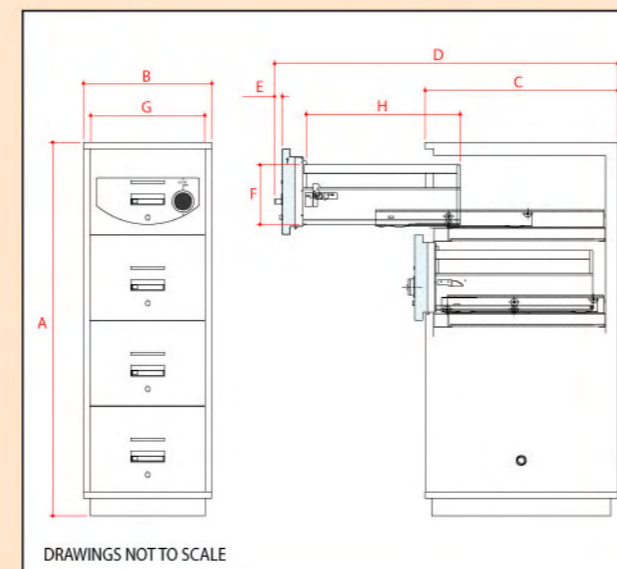


Chubb safes
Trusted the world over.

FIRE RESISTANT

Product Specifications

Model	External (mm)					Drawer's Dimension (mm)			Nett weight (Kg)
	(A) Height	(B) Width	(C) Depth	(D) Clear depth over furniture	(E) Furniture Projection	(F) Height	(G) Width	(H) Depth	
6206/9206	864	551	824	1480	47	292	437	645	220
6306/9306	1231	551	824	1480	47	292	437	645	320
6406/9406	1598	551	824	1480	47	292	437	645	400



4 Drawers RPF Cabinets



A Chubb safes cabinet in the furnace showing its resistance to temperatures over 1000C for upto 2 hours.



Key Lock

"This product is classified to UL Standards and requirements by Underwriters Laboratories Inc."
UL 72 Class 350

Testing in Compliance to UL 72 Class 350

Fire Endurance Test (Part 1)

The RPF Cabinet is placed inside a furnace heated to 1090°C for a time period (1 hour-6000 series, 2 hour-9000 series) and is left to 'soak-out' to simulate an 'after fire' environment. The Cabinet has been designed to limit the internal temperature to not more than 177°C.

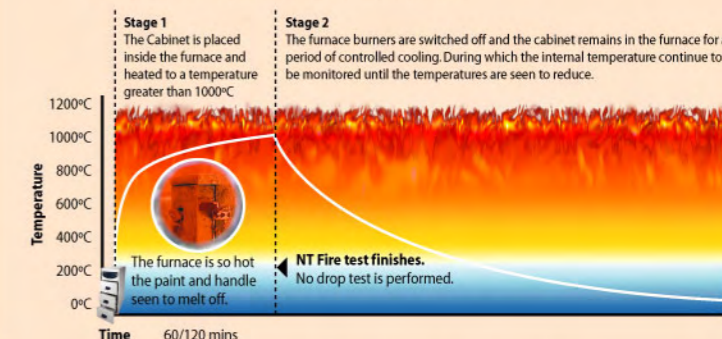
Combined Fire Shock & Impact Test (Part 2)

A cold RPF Cabinet is placed into a preheated furnace (preheated to a temperature of 1090°C). The Cabinet is then maintained in the furnace to heat up for 30/45 minutes (30 minutes for 6000 series and 45 minutes for 9000 series). This is to simulate the RPF Cabinet being exposed to a sudden fire condition and to ensure no explosion takes place due to the sudden change in temperature.

Authorised dealer:

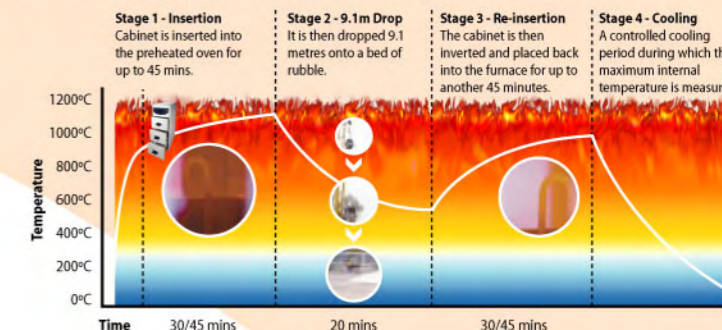
The cabinet is then removed from the furnace, lifted and then dropped from a height of 9.1m onto a pile of rubble to simulate the effect of a collapsing floor during a fire. The RPF Cabinet is then inverted and placed into the furnace for a further 30/45 minutes before allowing it to cool down. The internal temperatures must remain below 177°C during and after the test.

Part 1: UL - 72 Class 350 Fire Endurance Test



As the cabinet is affected by heat for a much longer time, the testing period can actually take up to 24 hours.

Part 2: UL - 72 Class 350 Fire Shock & Impact Test



As the cabinet is affected by heat for a much longer time, the testing period can actually take up to 24 hours.

Note:
 • Chubb safes Policy is one of constant improvement and we reserve the right to vary in detail the description and specification contained in this publication without incurring any obligation.
 • These products are designed primarily to provide protection against fire and impact for paper documents. For recommended storage of computer-based media, ask for details of Chubb safes Data Cabinet. For protection against physical attacks, ask for details of Chubb safes' safes.

Chubb safes
Trusted the world over.

CHUBB MALAYSIA SDN. BHD. (7652-K)
Kompleks Sime Darby, Persiaran Kawajipan,
USJ 7, 47600 UEP Subang Jaya,
Selangor Darul Ehsan, Malaysia.
Tel: +603-5635 3050 Fax: +603-5635 3066

Website: www.chubbmalyasia.com

'Chubb' is a registered trademark owned by Chubb plc and is used under license

A member of the Sime Darby Group

