

CODE SOFT

Easy Use & Easy Maintenance

LP-2150T SERIES



Simple. Faster. Fashion.

Label and Barcode Printer

2 inch print width, 2M Dram Memory



Delivery



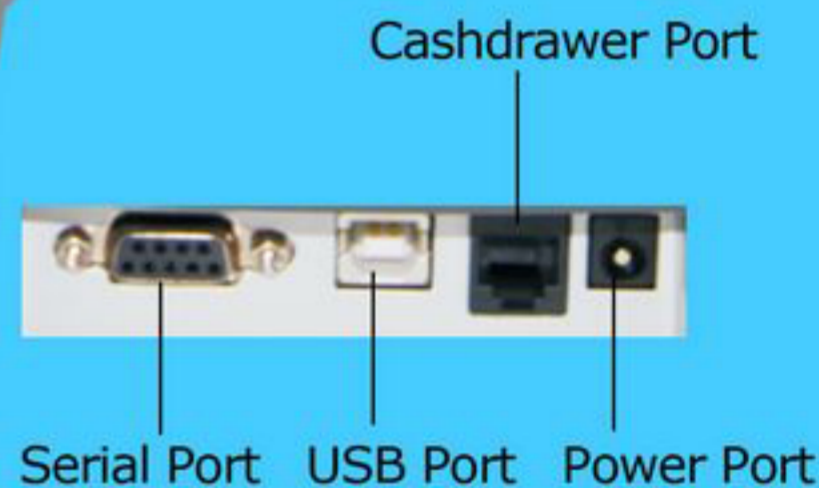
Warehouse Management



Hospital & Drugstore



Airport Baggage Tag



5 Inch High Speed Printing

LP-2150T



- Compatible with various label softwares
- Module design for different application
- Label paper auto positioned
- Simplified Chinese, traditional Chinese and Korean character supported

- BMP, PCX and BAS images download supported
- Label paper peel-off and tear-off modes supported
- Thermal continuous and sticker paper supported
- Temperature auto controlled
- Print head pressure adjustable

Front View



Side View



Back View



Support Using External Label Roll Holder

